

FRONT VIEW OF HAND LAMP

**Light Fitting Standard Specification :**

- a) WATTAGE : 20 WATTS
- b) VOLTAGE : 140V-270V AC
- c) POWER FACTOR : >0.95
- d) INPUT FREQUENCY : 50 Hz
- e) EFFICACY : ≥100 LUMEN PER WATT
- f) COLOUR (CCT) : 3000K/5700K/6500K/OR
- g) CRI : AS SPECIFIED
- h) TOTAL HARMONIC DISTORTION : ≤ 10% THD
- i) SURGE PROTECTION : 10 KV SPD
- j) SURFACE TEMPERATURE : MAX. 70°

**Light Fitting OPTIONS :**

- 1) MATERIAL CONSTRUCTION : STAINLESS STEEL
- 2) VOLTAGE : 220V DC/110V AC/110V DC/24V AC
- 3) GLASS TYPE : DOME
- 4) LED MAKE : CITIZEN/OSRAM/BRIDGELUX/EQUIVALENT
- 5) DRIVER MAKE : FUJHAM/EQUIVALENT
- 6) CABLE GLAND & PLUG : BRASS/S.S./ALUMINIUM
- 7) WIRE GUARD : M.S. WHITE EPOXY POWDER COATED / S.S.

**Reference IS/IEC Standard as follows :**

- 1 - FLAMEPROOF (Ex d) PROTECTION - IIA/IIb & IIC, IS/IEC 60079-1 (2014)
- TEMPERATURE CLASS - T6
- 2 - INGRESS (IP) PROTECTION - IP-66, IS/IEC 60529 (2001). (Reaffirmed 2014)

**Standard Specification :**

- 1 - MATERIAL - CAST ALUMINIUM ALLOY
- 2 - FINISH - INSIDE & OUTSIDE LIGHT GREY EPOXY POWDER COATING SHADE No. 631 AS PER IS-5
- 3 - EARTHING - 1 No. INSIDE & 2 Nos. OUTSIDE M6 SIZE S.S./BRASS SCREWS WITH 2 Nos. PLAIN WASHER
- 4 - HARDWARE - STAINLESS STEEL
- 5 - GASKET - 'O' RING ENDLESS NEOPRENE RUBBER GASKET
- 6 - MOUNTING ARRGT. - AS SHOWN IN DRG.

**Material / Components Specification :**

- 1 - S.S. NAME CUM WARNING PLATE (WITH DESCRIPTION TITLE, CIMFR, PESO, SR. NO., GAS GROUP, RATING, BIS MARKING, WARNING STATUS, etc...)
- 2 - GLASS - HEAT RESISTANCE CLEAR TOUGHENED GLASS 'TYPE-A' OF 'SUDHIR' BRAND
- 3 - CABLE ENTRIES - 1 No. M20 / 1/2" NPT / 3/4" ET SIZE CABLE ENTRIES FROM SIDE (REFER DRAWING)

THIS DRAWING IS PROPERTY OF "SUDHIR SWITCHGEARS PVT. LTD." AND MUST BE RETURNED ON REQUEST IF IT IS SUBMITTED AS CONFIDENTIAL INFORMATION IN CONNECTION WITH ENQUIRY, TENDER, ORDER, OR CONTRACTS IT IS NOT TO BE USED FOR ANY OTHER PURPOSE OR ORDER NOR MAY IT RE-COPIED OR LENT WITHOUT OUR AUTHORITY IN WRITING.

**NOTE :**

- COMPONENT LAYOUT IS TENTATIVE RELOCATION OF PARTS & COMPONENTS IS POSSIBLE AT THE TIME OF ACTUAL MANUFACTURING.
- OVERALL DIMENSIONS ARE ±10mm

		CAT. No.		HL/2C/126	
		MODEL No.:		HL/126/20	
		DRN.		JMSHW	
		CHKD.		JMSHW	
		APPD.		1 OF 1	
		SHEET		1	
		SCALE		N. T. S. REV.-0	
		DESCRIPTION		DRN.	
		DATE		CHKD.	
		REV.		APPD.	

**SUDHIR SWITCHGEARS PVT. LTD.**

130, MULBERRY SAMACHAR MARG, MULBERRY - 400 023

TITLE : FLAMEPROOF-WEATHERPROOF ENCLOSURE SUITABLE FOR HAND LAMP FITTING (20W LED)

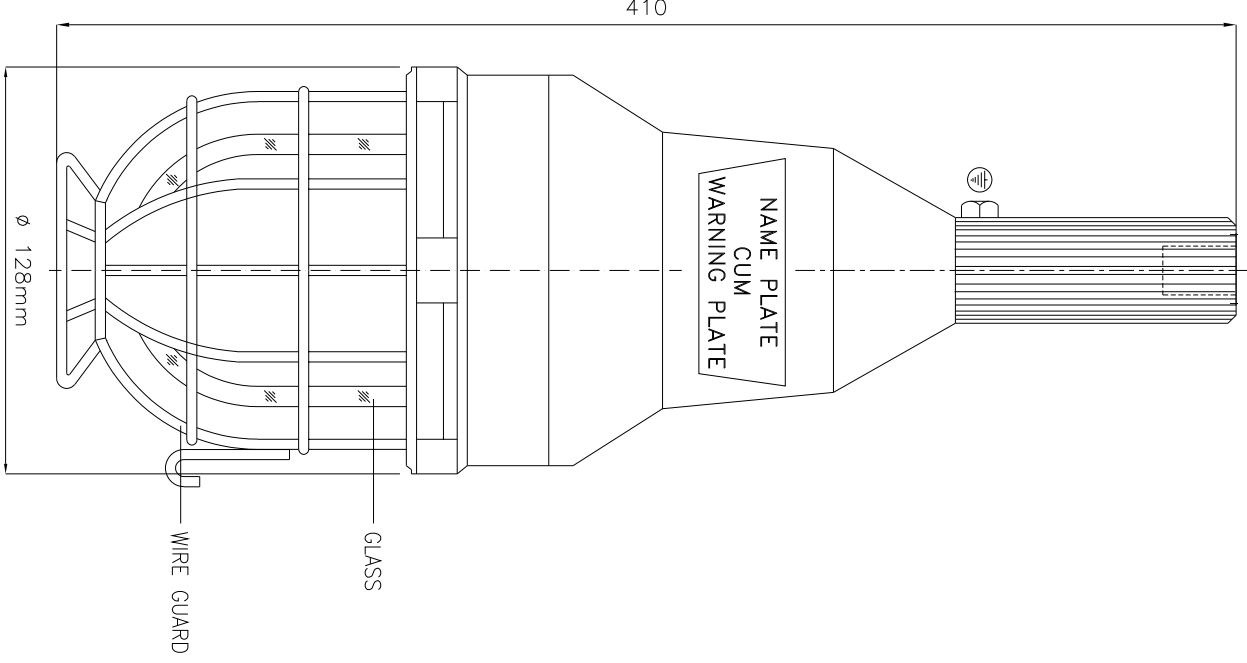
CIMFR CERT. No. : IN/CIMFR/TR22/R/H36

PESO No. : P54874/1

BIS LICENCE No. : CM/L-000331365

Dt. : 27/04/2022

Dt. : 17/07/2022



FRONT VIEW OF HAND LAMP

- Light Fitting Standard Specification :**
- a) WATTAGE : 15 WATTS
  - b) VOLTAGE : 140V-270V AC
  - c) POWER FACTOR : >0.95
  - d) INPUT FREQUENCY : 50 Hz
  - e) EFFICACY : ≥100 LUMEN PER WATT
  - f) COLOUR (CCT) : 3000K/3700K/6500K/OR
  - g) CRI : AS SPECIFIED
  - h) TOTAL HARMONIC DISTORTION : ≤ 10% THD
  - i) SURGE PROTECTION : 10 KV SPD
  - j) SURFACE TEMPERATURE : MAX. 70°

- Light Fitting OPTIONS :**
- 1) MATERIAL CONSTRUCTION : STAINLESS STEEL
  - 2) VOLTAGE : 220V DC/110V AC/110V DC/24V AC
  - 3) GLASS TYPE : DOME
  - 4) LED MAKE : CITIZEN/OSRAM/BRIDGELUX/EQUIVALENT
  - 5) DRIVER MAKE : FUJHAM/EQUIVALENT
  - 6) CABLE GLAND & PLUG : BRASS/S.S./ALUMINIUM
  - 7) WIRE GUARD : M.S. WHITE EPOXY POWDER COATED / S.S.

- Reference IS/IEC Standard as follows :**
- 1 - FLAMEPROOF (Ex d) PROTECTION - IIA/IIb & IIC, IS/IEC 60079-1 (2014)
  - TEMPERATURE CLASS - T6
  - 2 - INGRESS (IP) PROTECTION - IP-66, IS/IEC 60529 (2001). (Reaffirmed 2014)
- Standard Specification :**
- 1 - MATERIAL - CAST ALUMINIUM ALLOY
  - 2 - FINISH - INSIDE & OUTSIDE LIGHT GREY EPOXY POWDER COATING SHADE No. 631 AS PER IS-5
  - 3 - EARTHING - 1 No. INSIDE & 2 Nos. OUTSIDE M6 SIZE S.S./BRASS SCREWS WITH 2 Nos. PLAIN WASHER
  - 4 - HARDWARE - STAINLESS STEEL
  - 5 - GASKET - 'O' RING ENDLESS NEOPRENE RUBBER GASKET
  - 6 - MOUNTING ARRGT. - AS SHOWN IN DRG.

- Material / Components Specification :**
- 1 - S.S. NAME CUM WARNING PLATE (WITH DESCRIPTION TITLE, CIMFR, PESO, SR. NO., GAS GROUP, RATING, BIS MARKING, WARNING STATUS, etc...)
  - 2 - GLASS - HEAT RESISTANCE CLEAR TOUGHENED GLASS 'TYPE-A' OF 'SUDHIR' BRAND
  - 3 - CABLE ENTRIES - 1 No. M20 / 1/2" NPT / 3/4" ET SIZE CABLE ENTRIES FROM SIDE (REFER DRAWING)

**NOTE :**

- COMPONENT LAYOUT IS TENTATIVE RELOCATION OF PARTS & COMPONENTS IS POSSIBLE AT THE TIME OF ACTUAL MANUFACTURING.
- OVERALL DIMENSIONS ARE ±10mm

REV.	DATE	DESCRIPTION	DRN.	CHNO.	APPO.	SCALE	CAT. No.	MODEL No.:	CHKD.	INSTR.	CHKD. CERT. No.	PESO No. :	BIS LICENCE No. :
Δ							HL/2C/126	HL/126/15	DRN.	profili			
Δ									CHKD.	JASHWK			
Δ									APPO.				
Δ									SHEET	1	OF	1	
									N. T. S.	REV.-0			

THIS DRAWING IS PROPERTY OF "SUDHIR SWITCHGEARS PVT. LTD." AND MUST BE RETURNED ON REQUEST IF IT IS SUBMITTED AS CONFIDENTIAL INFORMATION IN CONNECTION WITH ENQUIRY, TENDER, ORDER, OR CONTRACTS IT IS NOT TO BE USED FOR ANY OTHER PURPOSE OR ORDER NOR MAY IT RE-COPIED OR LENT WITHOUT OUR AUTHORITY IN WRITING.

**SUDHIR SWITCHGEARS PVT. LTD.**  
130, MULBERRY SAMAGHAR MARG, MULBERRY - 400 023

TITLE : FLAMEPROOF-WEATHERPROOF ENCLOSURE SUITABLE FOR HAND LAMP FITTING (15W LED)

CHKD. CERT. No. : IN/CIMFR/TR22/R/H36

PESO No. : P548874/1

BIS LICENCE No. : CM/L-000331365

Dt. : 27/04/2022

Dt. : 17/07/2022